



PEDESTRIAN DETECTION

## **Viewtech VT-PA30 Pedestrian Alarm Install Manual**

VT-PA30 Amber VT-PA30B Blue

### **Product Description**




Viewtech VT-PA30 pedestrian alarm is a strobe / siren device designed to warn pedestrians of nearby moving plant and machinery.

It can be used as a standalone device and be activated by reverse or indicator lights. Or, it can be used in conjunction with ViewtechAi™ Pedestrian Detection Cameras which creates a smart alarm that will only trigger near people.

**WARNING:** This device and associated equipment should be installed by a competent auto electrician or vehicle equipment installer.

**WARNING:** This document should be read in full before commencing installation.

## Parts Table

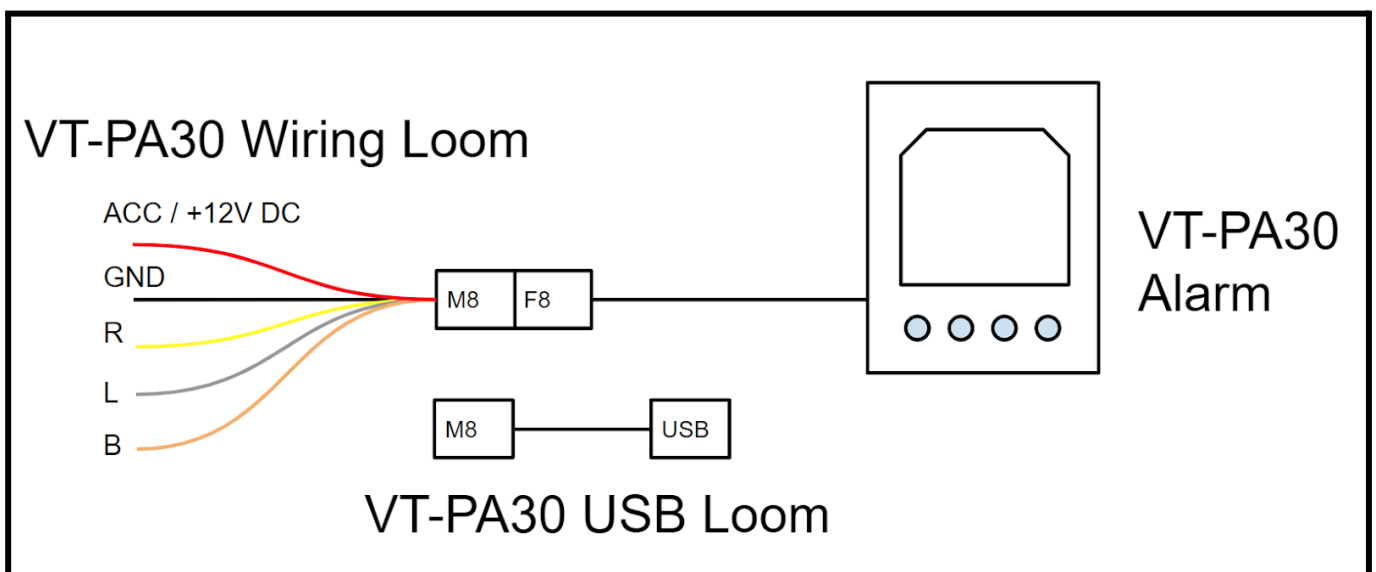
<p><b>Viewtech VT-PA30 Pedestrian Alarm</b></p>  A black, rectangular pedestrian alarm device with a speaker grille on the top half and four circular ports on the bottom half.	<p><b>VT-PA30 Wiring Loom (included)</b></p>  A bundle of multi-colored wires (red, yellow, black, white) connected to a black connector.
<p><b>VT-PA30 USB Loom (included)</b> Connects the device to a PC to upload audio alarms or voice files.</p>  A black cable with a connector on one end and a USB-A plug on the other.	

## Specifications Table

IP Rating	IP67
Material	Aluminum
Strobe Color	Amber or Blue
Operating Temp	-30°-70°C
Operating Voltage	DC 9V-36V
Dimensions	94w x 129h x 39d (mm)
Weight	508g
Audio Triggers	3
Audio Files	3
Connection	USB (removable drive in windows)

## Installation

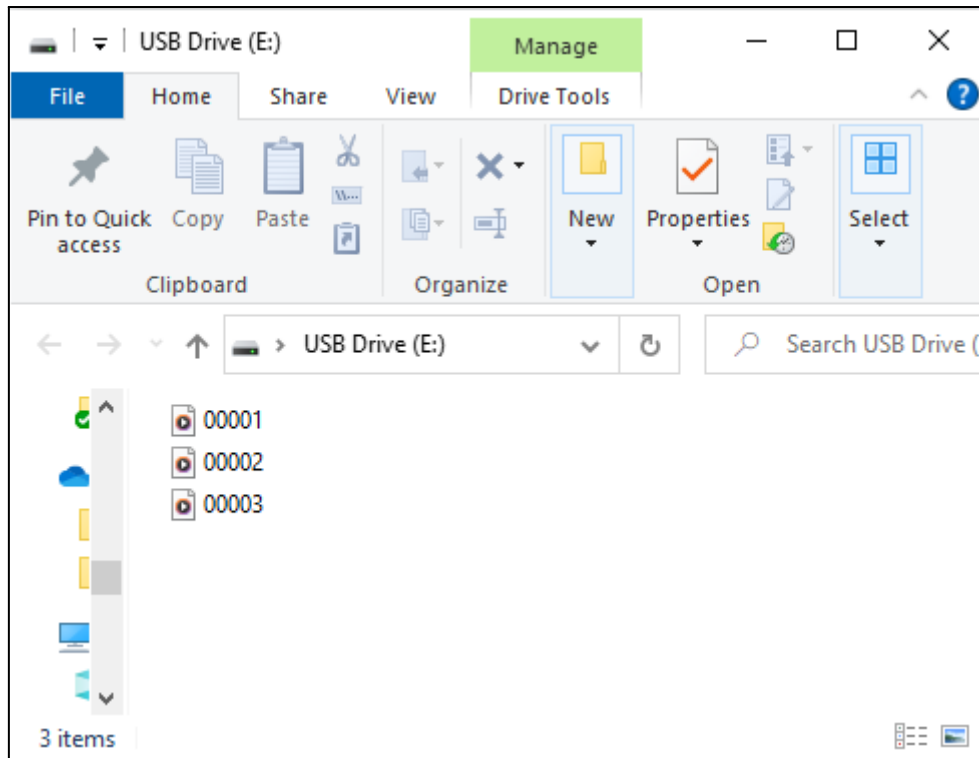
1. VT-PA30 should be mounted in a place visible to pedestrians, this could be on either side, rear or even front of any large moving vehicle.
2. The red (+ve) wire should be connected to a fused 9V-36V supply, the black (-ve) wire should be connected to the vehicle earth.
3. Connect the grey, orange or yellow wires to your trigger.



## Audio File Upload

VT-PA30 allows you to easily upload your own audio files.

1. Connect your VT-PA30 to a PC via the included USB adaptor.
2. Windows will detect the device and pop up a folder.
3. Rename your new file to replace the existing file name. The file name must remain the same.



Wire Colour	File Name	Default Message
Orange (B)	00003.mp3	Attention please truck reversing
Yellow (R)	00001.mp3	Attention please turning right
Grey (L)	00002.mp3	Attention please turning left

Table 1

## Make your own Audio File

TTS Maker is a free tool to produce text to voice messages. You can use this tool to produce a voice file, download it, rename it and then upload onto the VTPA-30.

[www.ttsmaker.com](http://www.ttsmaker.com)

The file name must be renamed to exactly that as shown in table one.



convert text to speech success!

0:02 / 0:02

This audio file will be automatically deleted within 24 hours, please download it in time.  
[You have 100% audio file copyright and commercial rights, learn more.](#)

[https://s5.ttsmaker-file.com/file/2023-12-08-094454\\_165822.mp3](https://s5.ttsmaker-file.com/file/2023-12-08-094454_165822.mp3)

History Download Voice File